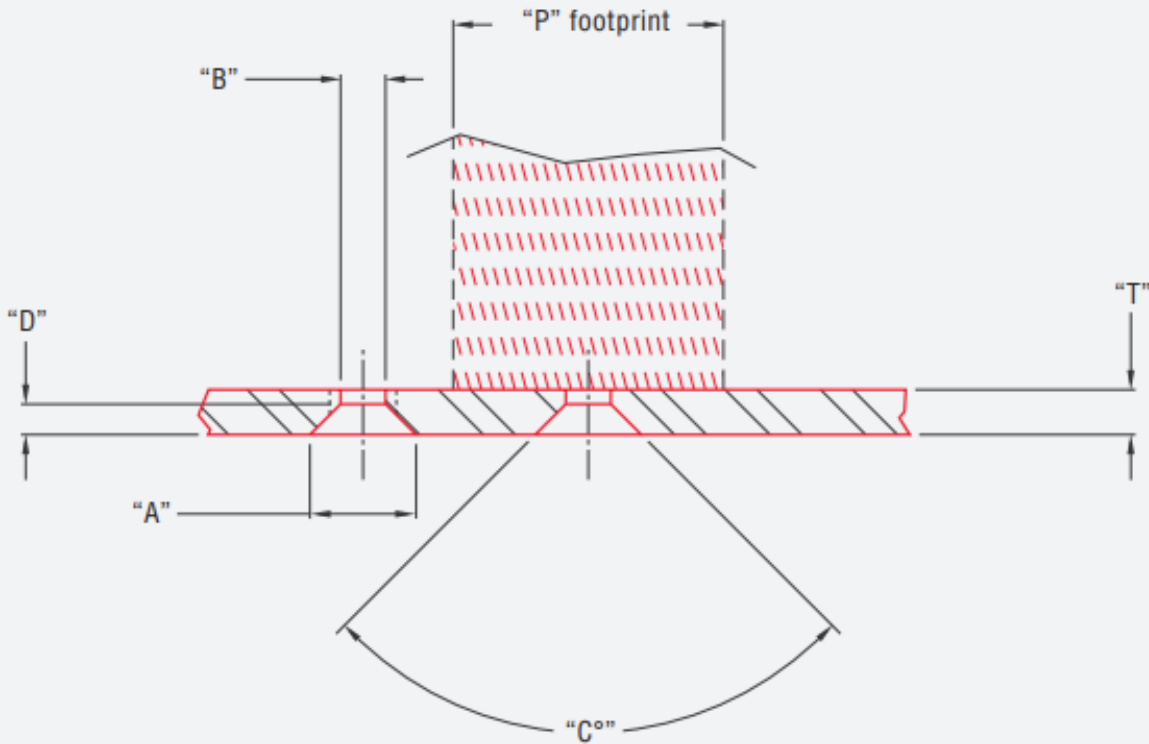


COUNTERSINK DEDICATED ROUND UP

TOOL CODE B1

Material Type	Thickness "T"	Maximum % Depth "D"
mild steel	$\geq .047(1.2)$ to $< .121(3.1)$	85%
	$\geq .121(3.1)$ to $< .197(5.0)$	60%
	$\geq .197(5.0)$	50%
aluminum	$\geq .047(1.2)$	85%
stainless steel	$\geq .047(1.2)$ to $< .077(2.0)$	85%
	$\geq .077(2.0)$ to $< .118(3.0)$	60%
	$\geq .118(3.0)$	50%



TOOL INFORMATION

To manufacture a tool to your specifications please provide data for either :

- 1) "A" and "C" dimensions, or
- 2) "A", "B" and "C" dimensions, or
- 3) "A", "C" and "D" dimensions

AØ _____ D _____

BØ _____

C° _____

GENERAL INFORMATION

Material Type _____

Material Thickness "T" _____

Machine Type _____

Tooling Style _____

Tooling Station _____

Dimensions filled in by _____

Approved By _____

ESPECIFICACIONES DE PEDIDO

Contacto:

ventasind@censaindustrial.com

01 800 087-8665



CENSA
INDUSTRIAL