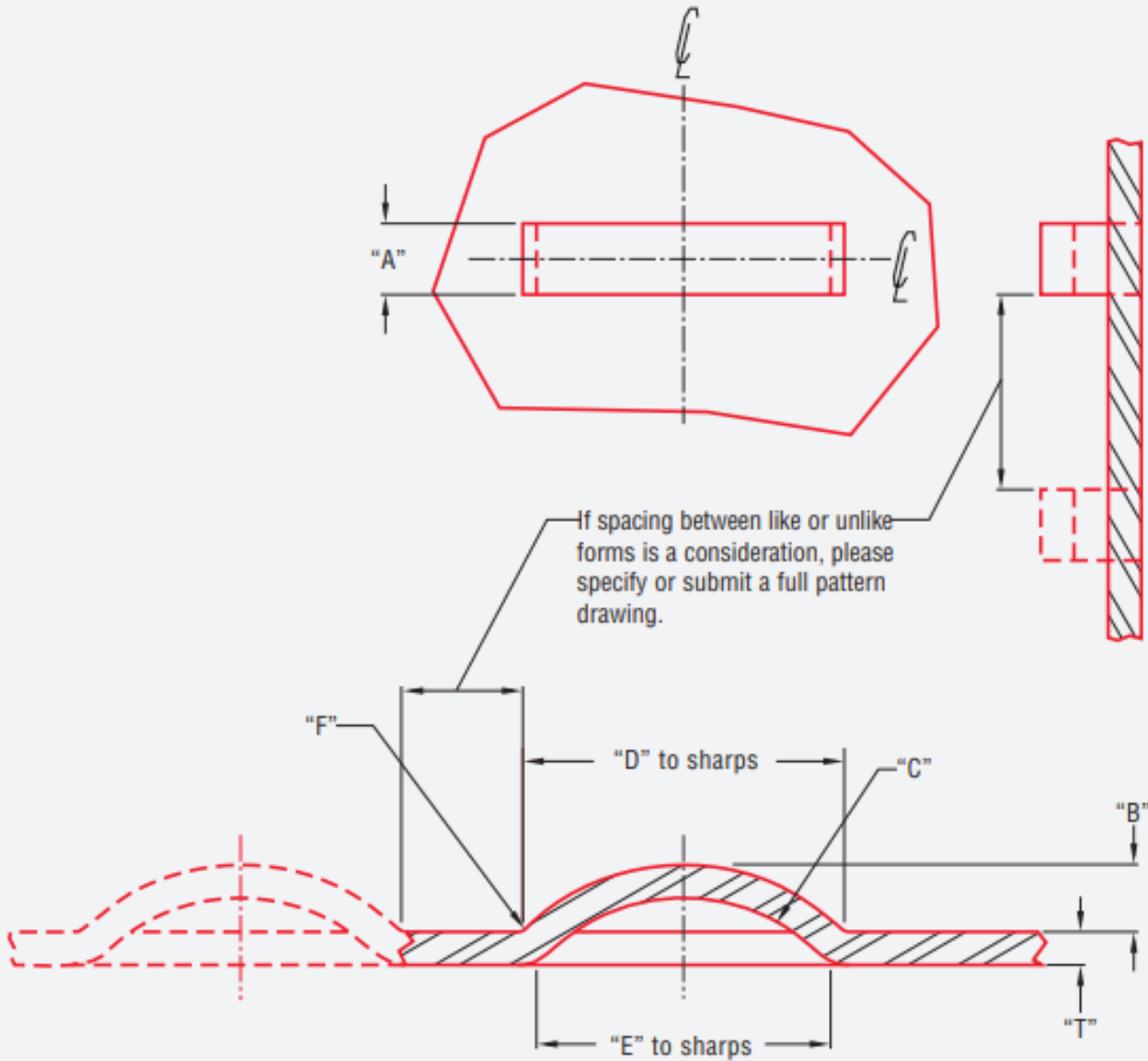


# LANCE AND FORM SINGLE BRIDGE (SPRING CLAMP)

TOOL CODE F5



## TOOL INFORMATION

Not all of the dimensions shown below are required. Fill in the critical dimensions and a Mate representative will contact you if more information is required.

A \_\_\_\_\_ F \_\_\_\_\_  
B \_\_\_\_\_  
C \_\_\_\_\_  
D \_\_\_\_\_  
E \_\_\_\_\_

## GENERAL INFORMATION

Material Type \_\_\_\_\_  
Material Thickness "T" \_\_\_\_\_  
Machine Type \_\_\_\_\_  
Tooling Style \_\_\_\_\_  
Tooling Station \_\_\_\_\_  
Dimensions filled in by \_\_\_\_\_  
Approved By \_\_\_\_\_

ESPECIFICACIONES DE PEDIDO

### Contacto:

ventasind@censaindustrial.com  
01 800 087-8665



**CENSA**  
**INDUSTRIAL**