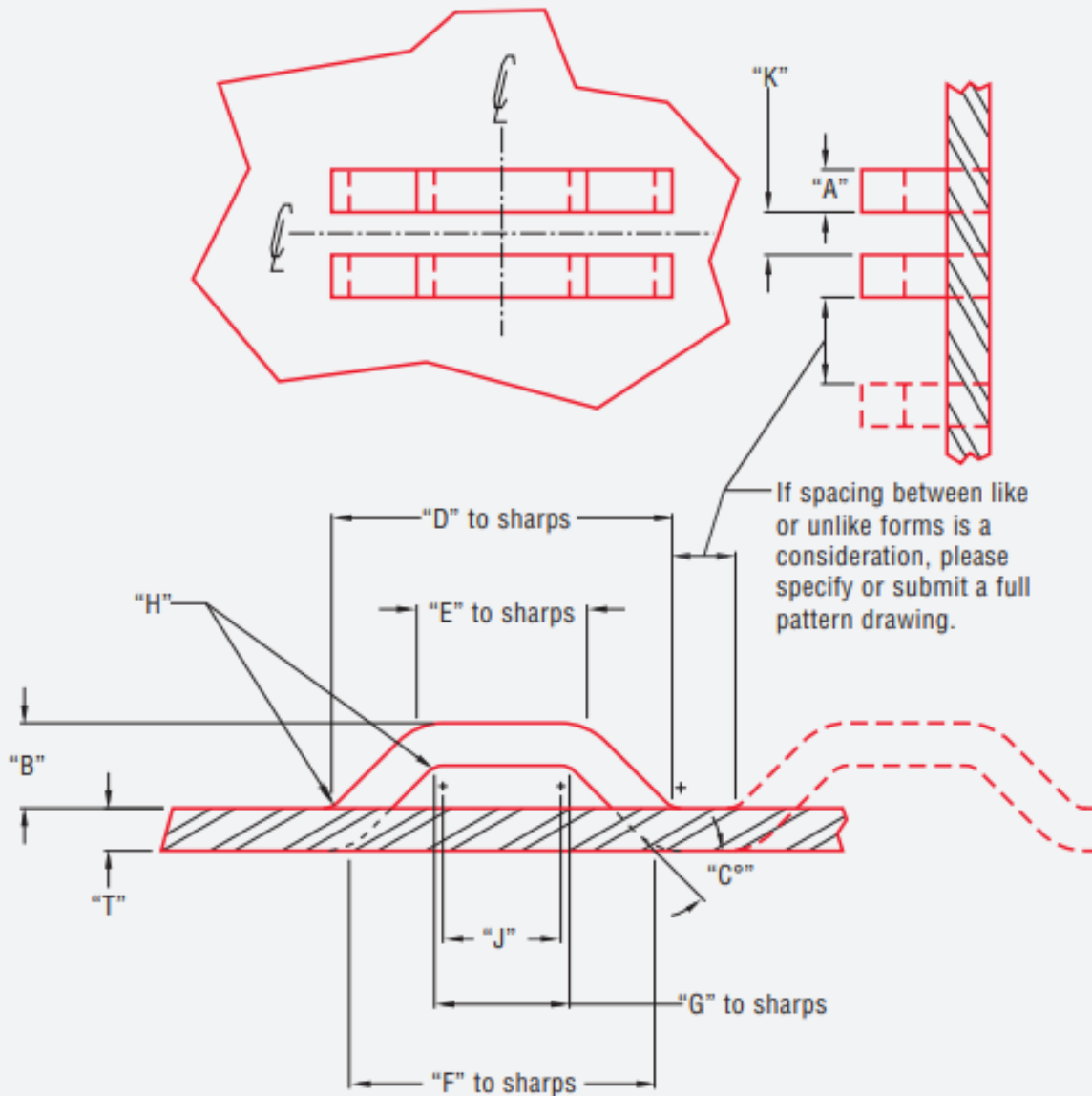


LANCE AND FORM DOUBLE BRIDGE (CARD GUIDE)

TOOL CODE FB



TOOL INFORMATION

Not all of the dimensions shown below are required. Fill in the critical dimensions and a Mate representative will contact you if more information is required.

A	F
B	G
C°	H
D	J
E	K

GENERAL INFORMATION

Material Type _____

Material Thickness "T" _____

Machine Type _____

Tooling Style _____

Tooling Station _____

Dimensions filled in by _____

Approved By _____

ESPECIFICACIONES DE PEDIDO

Contacto:

ventasind@censaindustrial.com
01 800 087-8665



CENSA
INDUSTRIAL