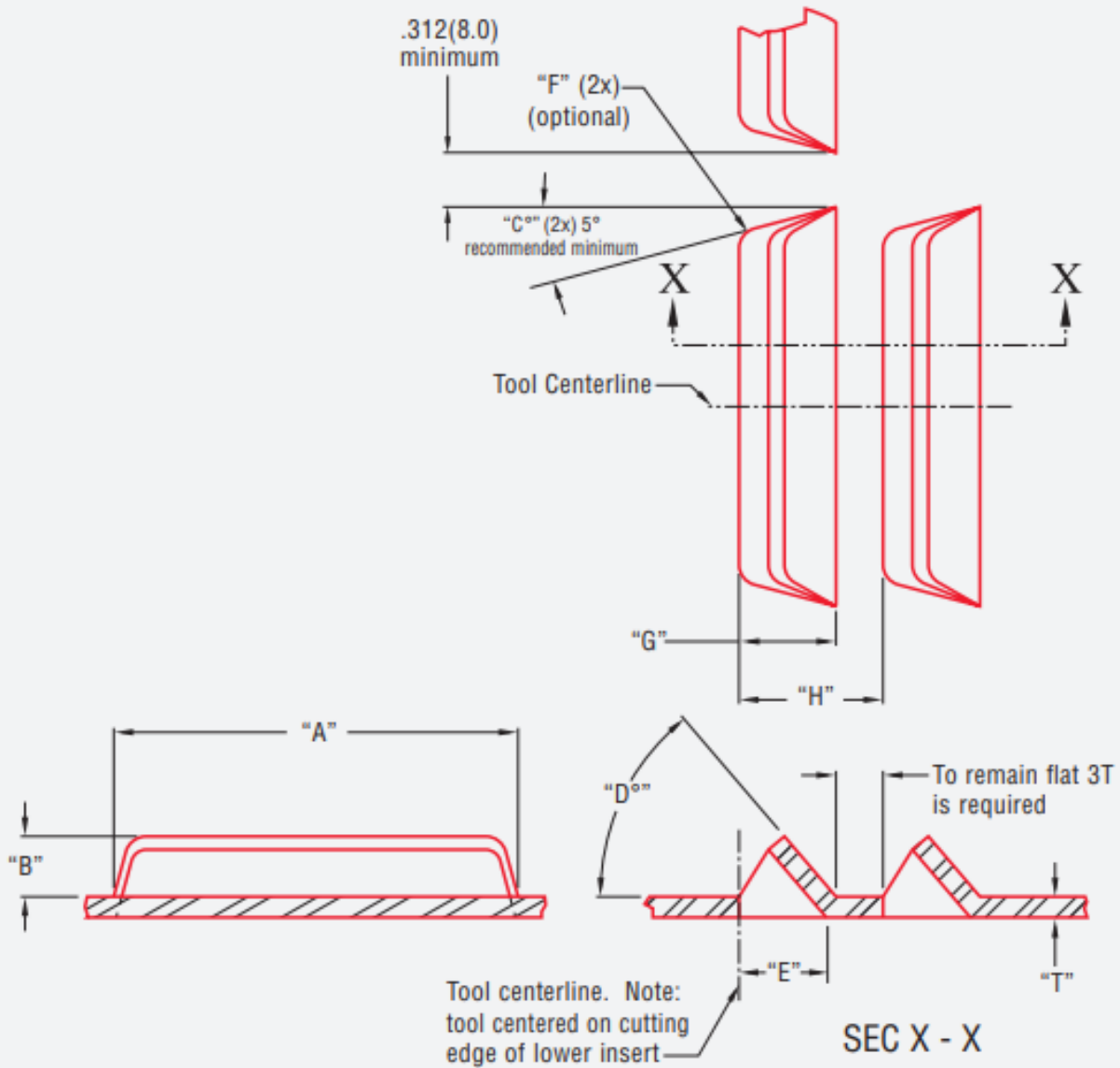


LOUVER OPEN END

TOOL CODE LØ



TOOL INFORMATION

Not all of the dimensions shown below are required. Fill in the critical dimensions and a Mate representative will contact you if more information is required.

A _____ F _____
 B _____ G _____
 C° _____ H _____
 D° _____
 E _____

GENERAL INFORMATION

Material Type _____
 Material Thickness "T" _____
 Machine Type _____
 Tooling Style _____
 Tooling Station _____
 Dimensions filled in by _____
 Approved By _____

ESPECIFICACIONES DE PEDIDO

Contacto:

ventasind@censaindustrial.com
 01 800 087-8665



CENSA
INDUSTRIAL