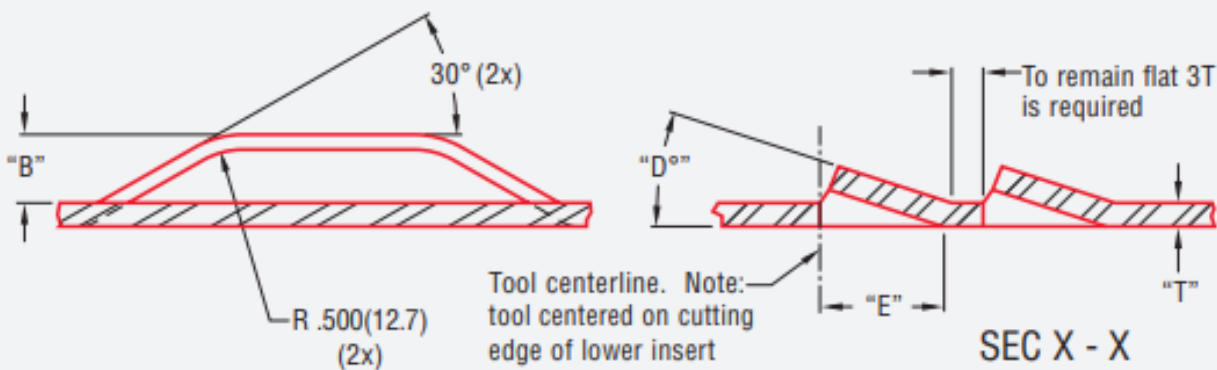
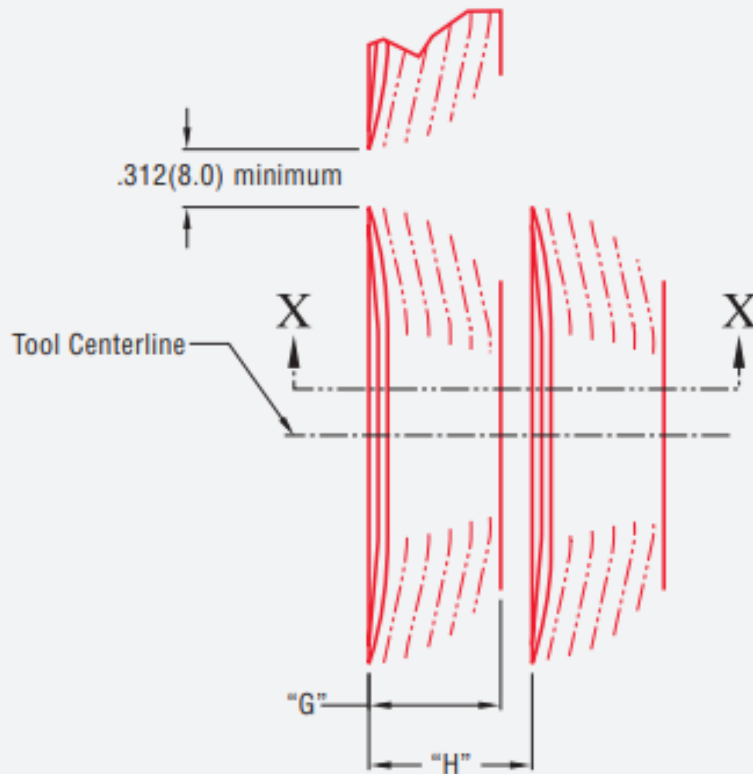


# LOUVER CONTINUOUS

TOOL CODE LL



## TOOL INFORMATION

Not all of the dimensions shown below are required. Fill in the critical dimensions and a Mate representative will contact you if more information is required.

B \_\_\_\_\_

D° \_\_\_\_\_

E \_\_\_\_\_

G \_\_\_\_\_

H \_\_\_\_\_

## GENERAL INFORMATION

Material Type \_\_\_\_\_

Material Thickness "T" \_\_\_\_\_

Machine Type \_\_\_\_\_

Tooling Style \_\_\_\_\_

Tooling Station \_\_\_\_\_

Dimensions filled in by \_\_\_\_\_

Approved By \_\_\_\_\_

ESPECIFICACIONES DE PEDIDO

**Contacto:**

ventasind@censaindustrial.com

01 800 087-8665



**CENSA**  
**INDUSTRIAL**