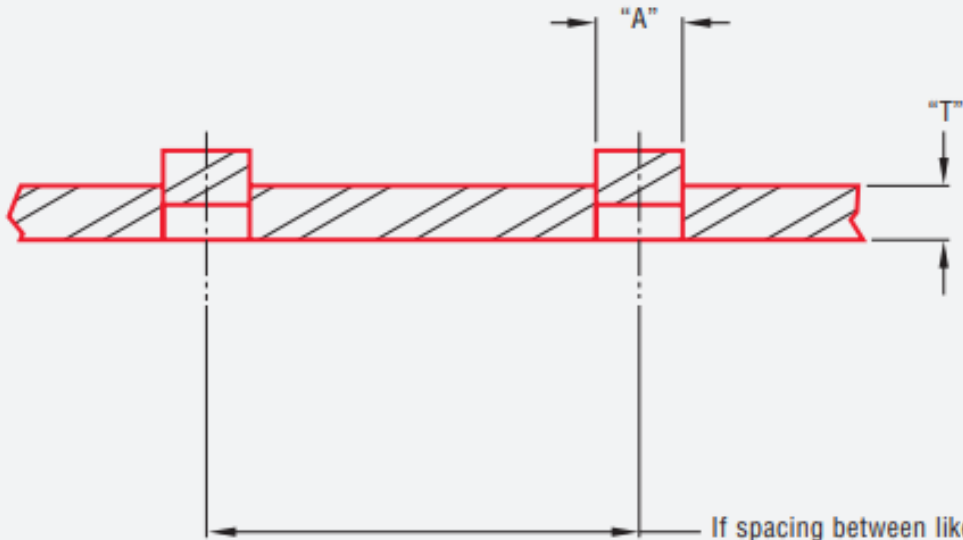


# SHEARBUTTON

TOOL CODE S1



If spacing between like or unlike forms is a consideration, please specify or submit a full pattern drawing.

## TOOL INFORMATION

AØ \_\_\_\_\_

## GENERAL INFORMATION

Material Type \_\_\_\_\_

Material Thickness "T" \_\_\_\_\_

Machine Type \_\_\_\_\_

Tooling Style \_\_\_\_\_

Tooling Station \_\_\_\_\_

Dimensions filled in by \_\_\_\_\_

Approved By \_\_\_\_\_

### Contacto:

ventasind@censaindustrial.com

01 800 087-8665



**CENSA**  
**INDUSTRIAL**

ESPECIFICACIONES DE PEDIDO