

LASER

PN

AMADA

**MATE**<sup>®</sup>  
**M**  
**PRECISION  
TECHNOLOGIES**  
RESPECT • SUPPORT • INSPIRE



## **High Performance Laser Consumables**

**AMADA<sup>®</sup>**

CO2 & FIBER LASER

- NOZZLES
- OPTICS
- ACCESSORIES



Headquartered in Anoka, Minnesota, in a 300,000 sq. ft. (28,000m<sup>2</sup>) state-of-the-art facility.

## SEVEN DECADES OF EXCELLENCE

Founded in 1962, Mate is a world-class manufacturer of superior solutions for the metal cutting and metal forming industries. We manufacture workholding systems, CNC punch press tooling, and offer a complete line of press brake tooling and laser consumables. Mate products and services are available worldwide, fully supported by more than 80 dealers in every industrialized country.

## PERSONAL, RESPECTFUL RELATIONSHIPS

Mate does business with people, not companies. Our connection to you is personal. Mate's team of manufacturing and metalworking professionals knows what you go through. We know what it's like to compete for that next job, manage deadlines or even need a rescue. With Mate you have a partner that respects your knowledge and is dedicated to helping you succeed.

## YOUR GO-TO SOURCE

Serving our customers is at the core of who we are. In your plant or on the phone, we're up for whatever metalworking challenges you face. Your Mate representatives are experts who know from experience what happens on the shop floor and provide our legendary in-field support. They speak your language, fully capable of helping you improve processes and solve problems. Mate customer service is ready to assist with fast quotes, guiding your order on to our top-notch machinists and shipping pros.

## GET INSPIRED!

With our vast knowledge and broad product range we inspire innovative thinking. Our customer's projects can be seen around the world: from unique building façades thought to be impossible to make, to a new way to add strength to thin material. The possibilities are endless, so think big, bold and beyond.

## WE'VE GOT YOU COVERED

Dedicated to quality in every aspect of our business, Mate offers an extensive standard product line that can be delivered with same day or next day service. All Mate products are backed with our industry leading 100% customer satisfaction guarantee.



## MATE'S MISSION AND PROMISE TO YOU:

Mate's mission is to personally **Respect, Support** and **Inspire** metalworking professionals around the world with high-quality products and services for factory productivity.

*[Dimensions in Inches (mm)]*



## PERFORMAX™

Performax™ CO2 Laser Lenses (MLL Series)

MATE PERFORMAX™ – the production lens for consistent CO2 laser performance

- Ideal for general laser cutting 4Kw and less
- Rated at less than 0.20% absorption, among the lowest standard lenses on the market
- Superior polishing for a smoother, easier to clean surface. Polished to a 20/10 scratch/dig specification to resist spatter and stay clean longer



## PEAK™

Low Absorption CO2 Laser Lenses (MLP Series)

The difference is clear: MATE PEAK™ low absorption, high performance CO2 laser lenses for demanding applications or high power cutting

- Less than 0.15% absorption offers improved cut quality, consistency and longer lens life
- Helium Neon (HeNe) laser beam compatible for better part alignment
- Proprietary clear coating offers superior lens stability, and allows for lens inspection and stress analysis
- Reduces optical distortion and focal length shift



## BLACKMAGIC™

Low Absorption CO2 Laser Lenses (MLB Series)

- Increased performance and versatility: Produce improved cuts on aluminum, stainless and other materials
- Coating: Black Magic lenses have the most durable coating in the industry and are spatter resistant
- Impervious to humidity: Work well regardless of humidity for assured efficiency
- Cost savings: Usually last twice as long or more as standard lenses



## 1 MICRON OPTICS

Fiber Laser Optics (MLF and MLW Series)

- Lower absorption for maximum cut quality and extended optic life
- Clear coating offers superior lens stability
- Consistent performance: Manufactured to exceptionally high tolerances for consistent performance and uniform cutting
- Approved by leading OEMs



## FLOWMASTER™

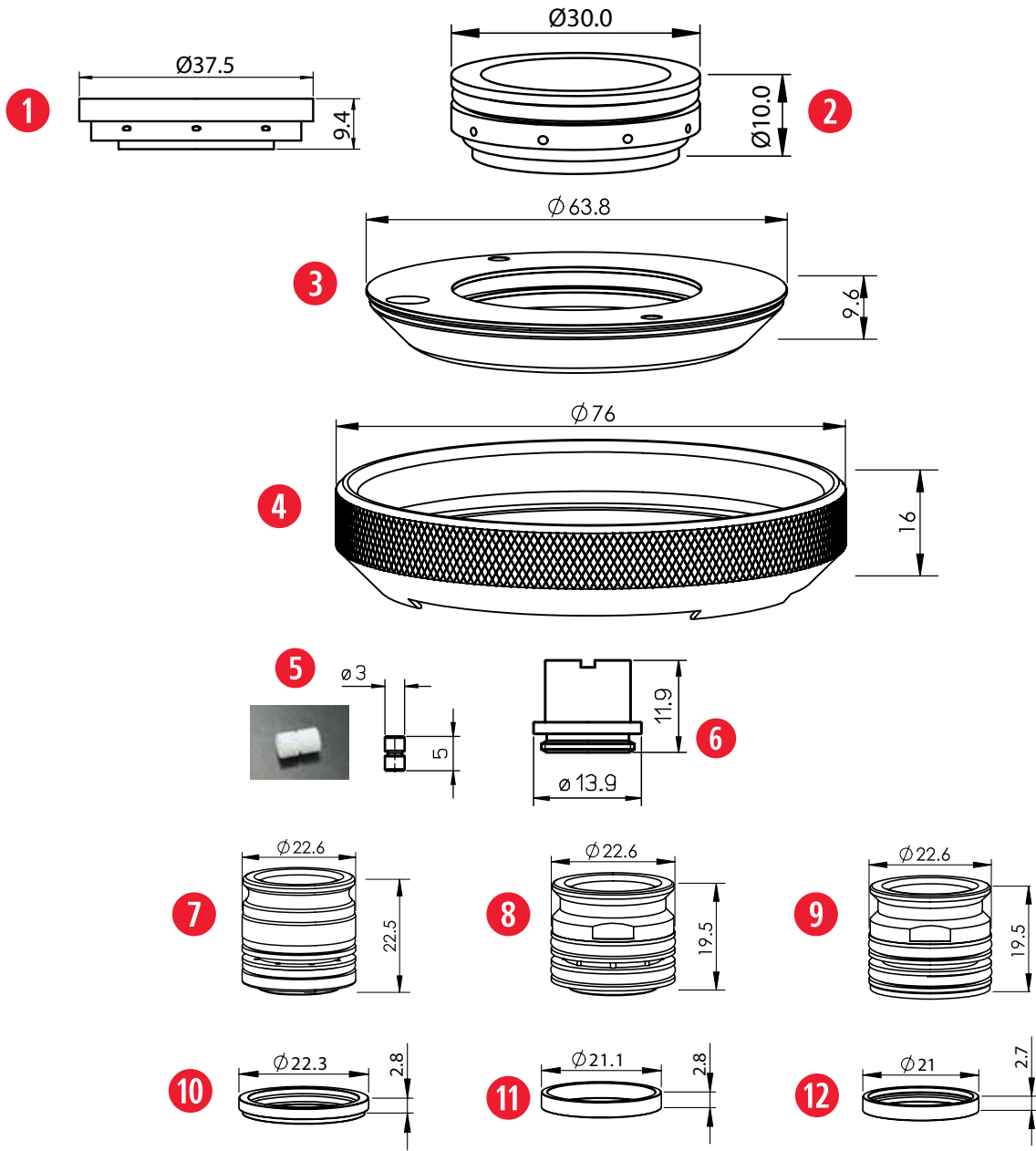
Nozzles and Nozzle Holders (MLN Series)

MATE FLOWMASTER™ nozzles are available in single and double style

- Highest quality copper alloy, stainless and hard stainless material
- Precision manufactured to tight tolerances of +/- 0-10 microns
- Micro-finished internal surfaces improve airflow
- Available for most OEM laser machine manufacturers
- Mate® carries over 2000 types of laser MLN nozzles and nozzle holders
- Manufactured to exacting standards to eliminate unnecessary variables and costly cutting problems for maximum productivity



[Dimensions in Inches (mm)]



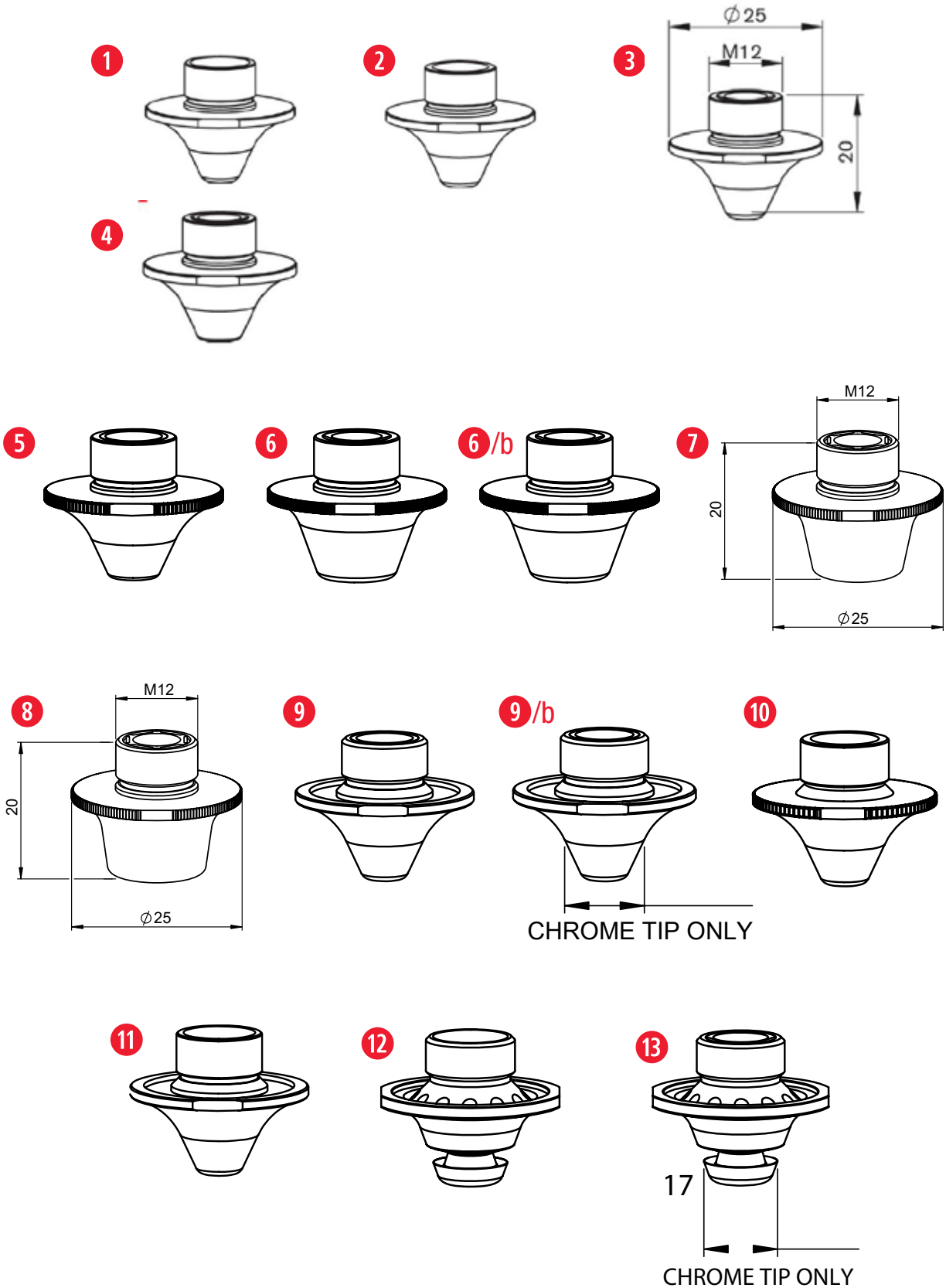
[Dimensions in Inches (mm)]



POS	MATE PART NUMBER	OEM CODE	ALTERNATE CODE	PART DESCRIPTION
1	MLN01175	71561666, 7973497, 71712349	AL372	HOLDER - PTFE
2	MLN01490	71502026	AL340	HOLDER - PTFE
3	MLN01499	71712342, 71712346	AL456XH	COVER KIT (COVER, S25 O-RING, A38 O-RING)
4	MLN01498	71712341, 71561668	AL455XH	NUT KIT (NUT, O-RING - LOCATING PIN
5	MLN01174	71712344	AL359	LOCATING PIN
6	MLN01154	71716438, 71798350, 71563339	AL392	INNER FOR ADAPTER CU SHIELD RING
7	MLN01092	71712350 , 7973459	AL360	NOZZLE ADAPTOR WITH HOLES
	MLN01182	71712350 , 7973459	AL360/AM	NOZZLE ADAPTOR WITH HOLES and INNER
	MLN02004 (NOT SHOWN)	71571456	AL397	O-RING KIT FOR ADAPTOR
8	MLN00630	71502036	AL248	NOZZLE ADAPTER WITH 8 HOLES
9	MLN01491	71502036	AL348	NOZZLE ADAPTER WITH 12 HOLES
10	MLN01166	71712340	AL361	COLLAR WITH GROOVE - PTFE
11	MLN00583	71515853	AL234	COLLAR FOR WACS - PTFE
12	MLN00942		AL233	COLLAR RIGID VERSION FOR WACS - PTFE
13	MLN02138	71712348	A5276f	S 25 O-RING FOR COVER KIT
14	MLN02139	71712695	A5276i	HS 2010 SENSOR GASKET
15	MLN02141	71712347	A5276g	S 38 SILICONE O-RING FOR COVER KIT
16	MLN02142	71712435, 71716027	A5276h	P3 RED - O-RING (4PC)
17	MLN02143	71561665, 71598131	A5276j	CERAMIC WASHER
18	MLN02227	71712345	A5276k	HS2010 CONNECTOR HOLDER
19	MLN02228	71712434	A5276m	PLUG GUIDE ASSY 2 HS2010
20	MLN02257	71712346	AM333-2346	COUPLER HEAD CABLE

[Dimensions in Inches (mm)]



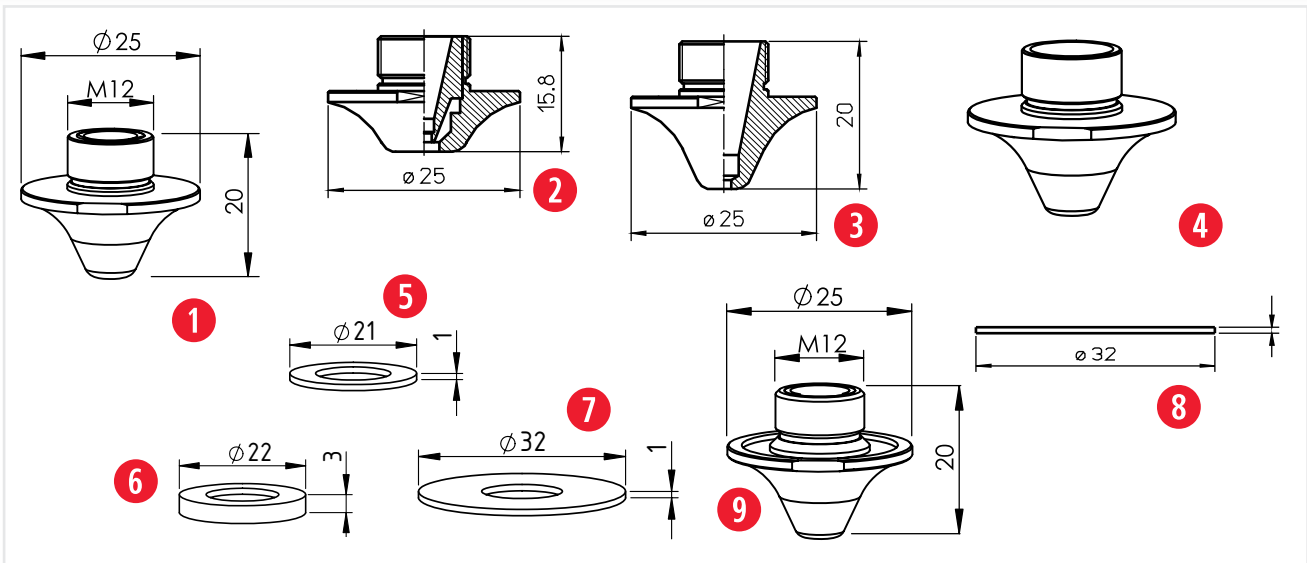


[Dimensions in Inches (mm)]

POS	MATE PART NUMBER	OEM CODE	ALTERNATE CODE	PART DESCRIPTION
1	MLN01062	71502037, 71461028	L1407X	SINGLE - 1.2MM ECO NOZZLE
2	MLN01168		L1410X	SINGLE - 1.4MM ECO NOZZLE
	MLN01533	71501056, 71712720	L1411X	SINGLE - 1.5MM ECO NOZZLE
	MLN01534	710501057, 71555124	L1412X	SINGLE - 2.0MM ECO NOZZLE
	MLN01170	71516788, 71501058	L1413X	SINGLE - 3.0MM ECO NOZZLE
3	MLN01063	771461029	L1401X	DOUBLE - 1.4MM ECO NOZZLE
	MLN01064	71501059	L1403X	DOUBLE - 2.5MM ECO NOZZLE
	MLN01254		L1404X	DOUBLE - 3.0MM ECO NOZZLE
	MLN01134	71516790, 71501060	L1405X	DOUBLE - 4.0MM ECO NOZZLE
4	MLN01161	71501690, 71501093, 71517226	L1406X	DOUBLE - 4.0MM AL NOZZLE
5	MLN01137	71501059, 71398310	L1415XH	DOUBLE - 2.5MM NOZZLE CLEAN CUT HCP
	MLN01093	71341728 - 71555121, 7151314	L1416XH	DOUBLE - 4.0MM NOZZLE CLEAN CUT HCP
6	MLN01500	D5.0CC	L1417XH	DOUBLE 5.0MM NOZZLE CLEAN CUT HCP
	MLN01501	D6.0CC	L1418XH	DOUBLE - 6.0MM NOZZLE CLEAN CUT HCP
	MLN01160	71341729, 71712721, 71798317, 71571313, D7.0CC	L1419XH	DOUBLE - 7.0MM NOZZLE CLEAN CUT HCP
	MLN01502	71501092	L1425X	DOUBLE - 7.0MM NOZZLE AL CLEAN CUT HCP
6b	MLN01173	71712692, 71341719, D7.0SC	L1420X	DOUBLE - 7.0MM NOZZLE SILKY CUT CHROME
7	MLN02223	71572667, D10CC	L2260XH	DOUBLE - 10MM CLEAN CUT NOZZLE HCP
8	MLN02224	71572668, 71572976, D12CC	L2262XH	DOUBLE - 12MM CLEAN CUT NOZZLE HCP
9	MLN01135	71570022	L1645X	DOUBLE - 2.0MM NOZZLE F CHROME TIP
	MLN01136		L1646X	DOUBLE - 2.5MM NOZZLE F CHROME TIP
	MLN01503	71516990	L1649X	DOUBLE - 4.0MM NOZZLE F CHROME TIP
9/b	MLN01504		L1644XH	DOUBLE - 1.5MM NOZZLE F HCP
	MLN01505	71570022, 71570023	L1645XH	DOUBLE - 2.0MM NOZZLE F HCP
10	MLN01164		L1421XH	SINGLE - 1.5MM NOZZLE Fe CLEAN CUT HCP
	MLN01171	71502043	L1422XH	SINGLE - 2.0MM NOZZLE Fe CLEAN CUT HCP
	MLN01159		L1424XH	SINGLE - 2.5MM NOZZLE Fe CLEAN CUT HCP
	MLN01172	71502044	L1423XH	SINGLE - 3.0MM NOZZLE Fe CLEAN CUT HCP
11	MLN01131	71570030, 71570021	L1561X	SINGLE - 1.0MM NOZZLE CHROME TIP
	MLN01132	71570020, 9010393, 71570023	L1562X	SINGLE - 1.2MM NOZZLE CHROME TIP
	MLN01133		L1563X	SINGLE - 1.4MM NOZZLE CHROME TIP
12	MLN01506		L1653XH	SINGLE - 0.8MM NOZZLE Fe HCP CHROME WACS
	MLN01507		L1653XH/TG	SINGLE - 0.8MM NOZZLE Fe HCP WITH COLLAR CHROME WACS
	MLN01155	71570030	L1654XH	SINGLE - 1.0MM NOZZLE Fe HCP CHROME WACS
	MLN01245	71570030	L1654XH/TG	SINGLE - 1.0MM NOZZLE Fe HCP WITH COLLAR CHROME WACS
	MLN01156	71570020, 71570023	L1655XH	SINGLE - 1.2MM NOZZLE Fe HCP CHROME WACS
	MLN01246	71570023	L1655XH/TG	SINGLE - 1.2MM NOZZLE Fe HCP WITH COLLAR CHROME WACS
	MLN01250		L1656XH	SINGLE - 1.4MM NOZZLE Fe HCP CHROME WACS
	MLN01247		L1656XH/TG	SINGLE - 1.4MM NOZZLE Fe HCP WITH COLLAR CHROME WACS
	MLN01251		L1657XH	SINGLE - 1.7MM NOZZLE Fe HCP CHROME WACS
	MLN01248		L1657XH/TG	SINGLE - 1.8MM NOZZLE Fe HCP WITH COLLAR CHROME WACS
	MLN01252		L1658XH	SINGLE - 2.0MM NOZZLE Fe HCP CHROME WACS
MLN01249		L1658XH/TG	SINGLE - 2.0MM NOZZLE Fe HCP WITH COLLAR CHROME WACS	
13	MLN01508	71568227, 71599227	L1900XH	DOUBLE - 1.2MM NOZZLE Fe FIBER HCP
	MLN02122	71599227	L1900XH/TG	DOUBLE - 1.2MM NOZZLE Fe FIBER WITH COLLAR HCP 5 PK
	MLN02177	71571620	L1899XH	DOUBLE - 1.4MM NOZZLE Fe FIBER HCP WITH COLLAR
	MLN0217705	71571620	L1899XH/TG	DOUBLE - 1.4MM NOZZLE Fe FIBER HCP WITH COLLAR 5 PK
	MLN02225		L201899XH	DOUBLE - 1.4MM NOZZLE Fe HCP
	MLN0222505		L201899XH	DOUBLE - 1.4MM NOZZLE Fe HCP 5PK
	MLN01509		L1901XH	DOUBLE - 1.5MM NOZZLE Fe HCP
	MLN02123		L190XH/TG	DOUBLE - 1.5MM NOZZLE Fe WITH COLLAR HCP
	MLN02226		L1902XH	DOUBLE - 2.0MM NOZZLE Fe HCP
	MLN0222605		L201902XH	DOUBLE - 2.0MM NOZZLE Fe HCP 5PK
MLN02178	71568227	L1902XH/TG	DOUBLE - 2.0MM NOZZLE Fe FIBER WITH COLLAR HCP	
MLN0217805	71568227	L201902XH/TG	DOUBLE - 2.0MM NOZZLE Fe FIBER WITH COLLAR HCP 5PK	

[Dimensions in Inches (mm)]

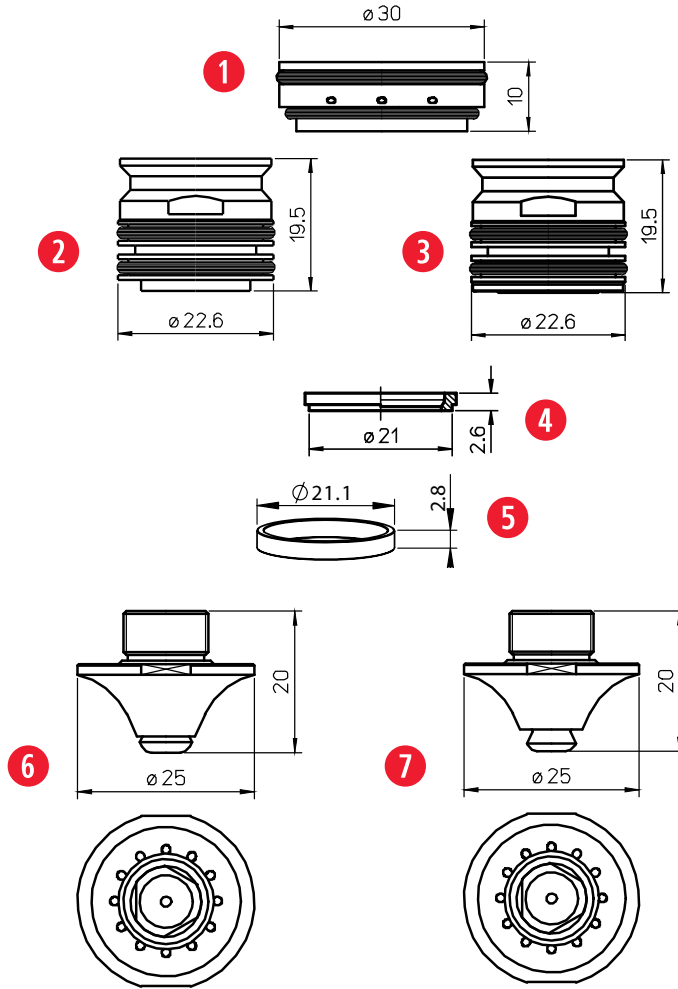




POS	MATE PART NUMBER	OEM CODE	ALTERNATE CODE	PART DESCRIPTION
1	MLN00452	1572361, 71369811	L585X	DOUBLE - 1.2MM NOZZLE CHROME
	MLN00453	71502038, 71369813, 71518550, 71341779	L586X	DOUBLE - 1.4MM NOZZLE CHROME
	MLN00930	1572361, 71518548, 1572380	L574X	DOUBLE - 1.7MM NOZZLE CHROME
	MLN00454	1572361, 71515392, 71369813	L587X	DOUBLE - 2.0MM NOZZLE CHROME
	MLN00586	71501059, 71515394, 71516789, 1576398	L584X	DOUBLE - 2.5MM NOZZLE CHROME
	MLN00455	1572361	L588X	DOUBLE - 3.0MM NOZZLE CHROME
	MLN00456	71515395, 71516790, 1576399, 71369817	L589X	DOUBLE - 4.0MM NOZZLE CHROME
	MLN00623	1572361	L583X	DOUBLE - 5.0MM NOZZLE CHROME
	MLN00624		L569X	DOUBLE - 6.0MM NOZZLE CHROME
2	MLN01485		L567X	DOUBLE - 4.0MM NOZZLE SHORT CHROME
3	MLN00625	71369822, 1572362, 71563584	L590X	SINGLE - 0.8MM NOZZLE CHROME
	MLN00626	1572367A, 71563585	L591X	SINGLE - 1.0MM NOZZLE CHROME
	MLN00457	71369812	L592X	SINGLE - 1.2MM NOZZLE CHROME
	MLN00458	1572362, 71369813	L593X	SINGLE - 1.4MM NOZZLE CHROME
	MLN00929	1572362, 1572368B	L597X	SINGLE - 1.5MM NOZZLE CHROME
	MLN01098	1572362	L575X	SINGLE - 1.7MM NOZZLE CHROME
	MLN00459	71515392, 71369815	L594X	SINGLE - 2.0MM NOZZLE CHROME
	MLN01487		L572X	SINGLE - 2.5MM NOZZLE CHROME
	MLN00460	71515393, 1576112, 71369816	L595X	SINGLE - 3.0MM NOZZLE CHROME
MLN00461	1572362, 71515395, 71369815	L596X	SINGLE - 4.0MM NOZZLE CHROME	
4	MLN01068	71369822	L1027X	SINGLE - 0.8MM NOZZLE STRAIGHT TAPER CHROME
	MLN01069		L1028X	SINGLE - 1.0MM NOZZLE STRAIGHT TAPER CHROME
	MLN01070	71461028	L1029X	SINGLE - 1.2MM NOZZLE STRAIGHT TAPER CHROME
	MLN01071		L1030X	SINGLE - 1.4MM NOZZLE STRAIGHT TAPER CHROME
	MLN00928	71501056	L599X	SINGLE - 1.5MM NOZZLE STRAIGHT TAPER CHROME
	MLN00927	71501057	L598X	SINGLE - 2.0MM NOZZLE STRAIGHT TAPER CHROME
	MLN01489		L1033X	SINGLE - 2.3MM NOZZLE STRAIGHT TAPER CHROME
	MLN01072	71501058	L571X	SINGLE - 3.0MM NOZZLE STRAIGHT TAPER CHROME
5	MLN00059	71341614	AL1005	DISC HEAD PROTECTION Ø 21 PLASTIC
6	MLN00060	71364816, 71341614	AL122	DISC HEAD PROTECTION Ø 20 VESPEL
7	MLN00606	71341614	AL123	DISC HEAD PROTECTION Ø 22 VESPEL
8	MLN00058	71639819	AL42	DISC HEAD PROTECTION DISC 32MM
9	MLN00589	71502038	L1031X	DOUBLE - 1.4MM CONCAVE NOZZLE

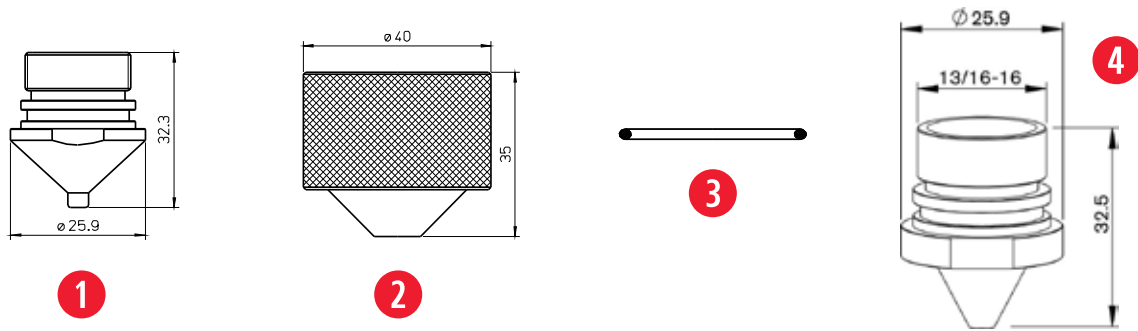
[Dimensions in Inches (mm)]





POS	MATE PART NUMBER	OEM CODE	ALTERNATE CODE	PART DESCRIPTION
1	MLN01490	71502026	AL340	INSULATOR FOR ADAPTOR - PTFE
2	MLN00630	71502036	AL248	NOZZLE ADAPTER WITH 8 HOLES
3	MLN01491	71502036	AL348	NOZZLE ADAPTOR WITH 12 HOLES
	MLN00941 (NOT SHOWN)		AL268	O-RINGS FOR MLN00630
4	MLN00942		AL233	COLLAR RIGID VERSION FOR WACS - PTFE
5	MLN00583	71515853	AL234	COLLAR FOR WACS PTFE
6	MLN00943	71461026, 71502039	L1155X	DOUBLE - 2.5MM WACS NOZZLE WITH HOLES CHROME
	MLN00944	71461158, 71502040	L1159X	DOUBLE - 4.0MM WACS NOZZLE WITH HOLES CHROME
7	MLN00945	71502055	L1041X	DOUBLE - 1.4MM WACS NOZZLE WITH HOLES CHROME
	MLN00946	71518545, 7141026	L1043X	DOUBLE - 1.7MM WACS NOZZLE WITH HOLES CHROME
	MLN00947		L1044X	DOUBLE - 2.0MM WACS NOZZLE WITH HOLES CHROME
	MLN00584	71502039, 7151850	L1045X	DOUBLE - 2.5MM WACS NOZZLE WITH HOLES CHROME
	MLN00585	71502040	L1049X	DOUBLE - 4.0MM WACS NOZZLE WITH HOLES CHROME

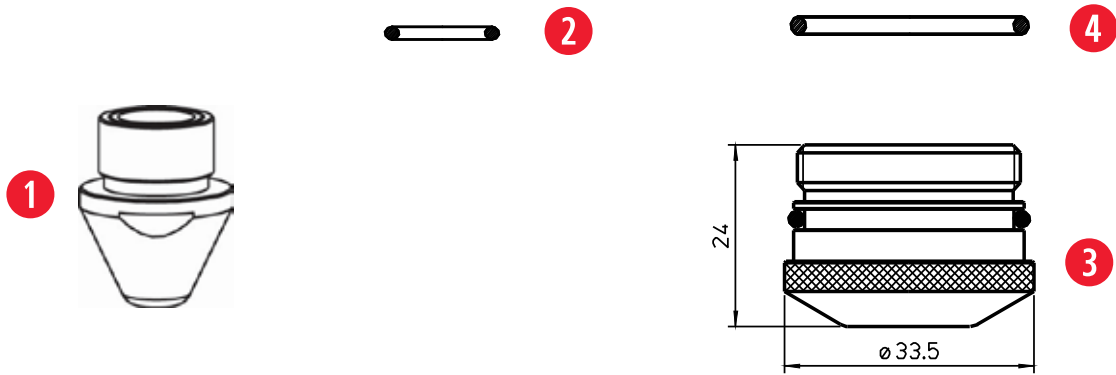
[Dimensions in Inches (mm)]



POS	MATE PART NUMBER	OEM CODE	ALTERNATE CODE	PART DESCRIPTION
1	MLN00003	71101902	L91X	SINGLE - 1.5MM NOZZLE CHROME
	MLN00005	71101901, 845735	L29X	SINGLE - 2.0MM NOZZLE CHROME
2	MLN00011	71101905, 841143B	A5647	OUTER NOZZLE CHROME
3	MLN00012	71341685, 1AS-34, 514	AL96	O-RING FOR OUTER NOZZLE
4	MLN00073	6506892, 74712001	L398X	SINGLE - 2.0MM NOZZLE CH

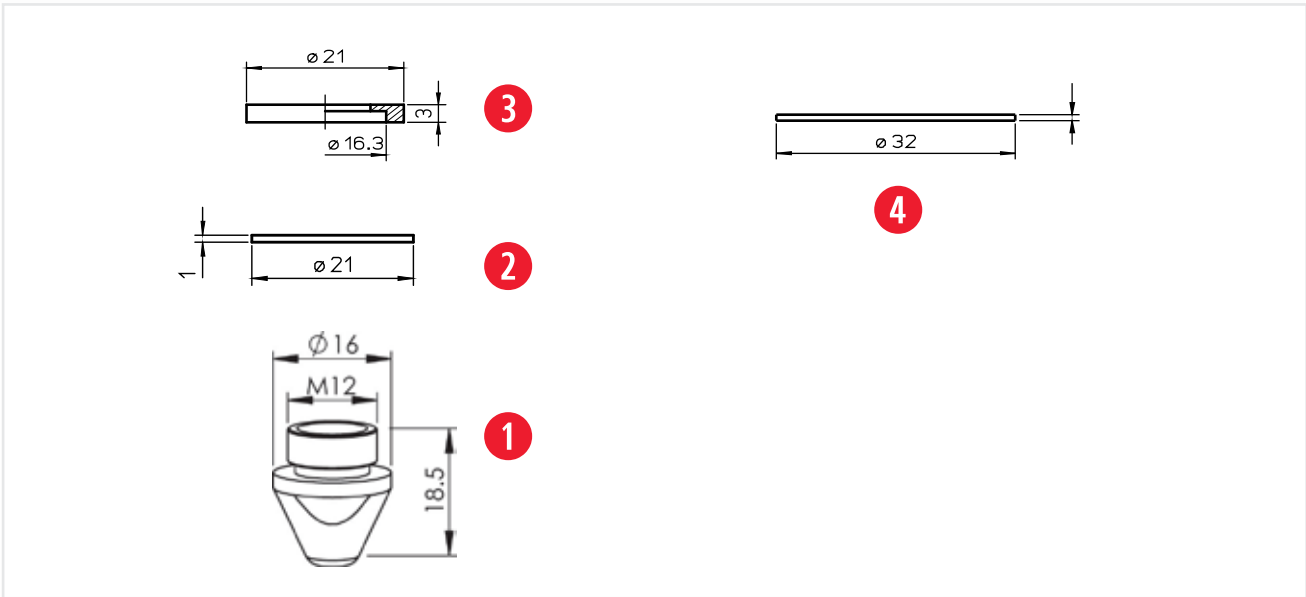
[Dimensions in Inches (mm)]





POS	MATE PART NUMBER	OEM CODE	ALTERNATE CODE	PART DESCRIPTION
1	MLN00013	1669864, 7134162	L390X	DOUBLE - 1.0MM NOZZLE CHROME
	MLN00307	71369811, 1669864, 7134162	L392X	DOUBLE - 1.2MM NOZZLE CHROME
	MLN00308	1669864, 7134162	L393X	DOUBLE - 1.4MM NOZZLE CHROME
	MLN00014	1669864, 7134162, 71369809	L391X	DOUBLE - 1.5MM NOZZLE CHROME
	MLN00015	1669864, 7134162, 71341680	L315X	DOUBLE - 2.0MM NOZZLE CHROME
	MLN00016	1669864, 7134162, 71341680	L316X	DOUBLE - 2.5MM NOZZLE CHROME
	MLN00309	1669864, 7134163	L317X	DOUBLE - 3.0MM NOZZLE CHROME
	MLN00399	1669795, 71341681	L318X	DOUBLE - 4.0MM NOZZLE CHROME
2	MLN00031	S-14, 71341683	AL93	O-RING FOR NOZZLE (10PK)
3	MLN00033	71366452, 71341684, 6551148A	AL115X	OUTER NOZZLE CHROME
4	MLN00034	71366453	AL94	O-RING FOR NOZZLE OUTER (10PK)

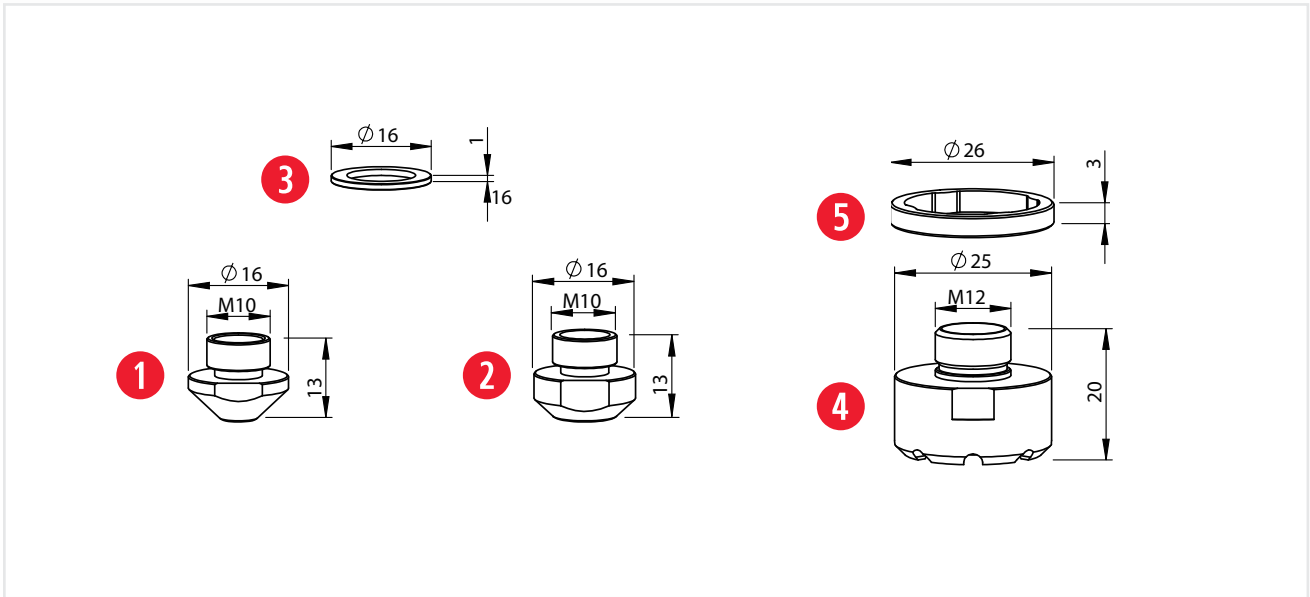
[Dimensions in Inches (mm)]



POS	MATE PART NUMBER	OEM CODE	ALTERNATE CODE	PART DESCRIPTION
1	MLN00044	1664545U	L134X	SINGLE - 1.0MM NOZZLE CHROME
	MLN00045	1664545U	L135X	SINGLE - 1.25MM NOZZLE CHROME
	MLN00046	1664545U, M90115	L86X	SINGLE - 1.5MM NOZZLE CHROME
	MLN00047	1664545U	L136X	SINGLE - 1.75MM NOZZLE CHROME
	MLN00048	1664644U, 71341610, M90114, 62094005	L137X	SINGLE - 2.0MM NOZZLE CHROME
	MLN00049	71341610, 1664545U	L203X	SINGLE - 2.5MM NOZZLE CHROME
	MLN00050	1664645U, 71360142, M90113, 62094008	L138X	SINGLE - 3.0MM NOZZLE CHROME
	MLN00604		L339X	SINGLE - 4.0MM NOZZLE CHROME
2	MLN00059	71341614, 1669779	AL1005	DISC HEAD PROTECTION Ø 21 PLASTIC
	MLN00060	71341614	AL122	DISC HEAD PROTECTION Ø 21 VESPEL
3	MLN00606		AL123	DISC HEAD PROTECTION Ø 22 CERAMIC
4	MLN00058	71369819	AL42	DISK HEAD PROTECTION Ø 32 PLASTIC

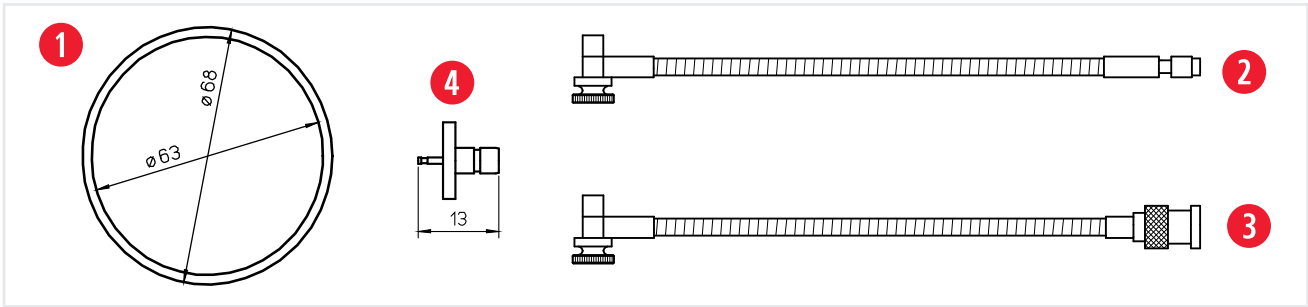
[Dimensions in Inches (mm)]



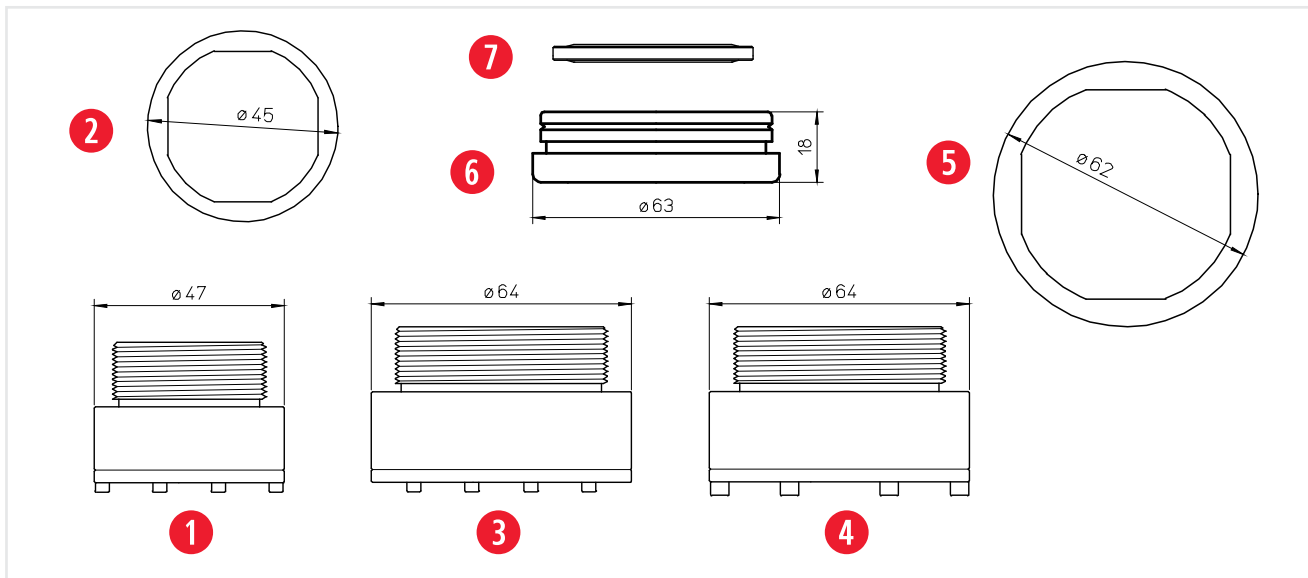


POS	MATE PART NUMBER	OEM CODE	ALTERNATE CODE	PART DESCRIPTION
1	MLN00037	62094006, 1507610	L173X	SINGLE - 1.5MM NOZZLE CHROME
	MLN00039	62094006, 1507611	L27X	SINGLE - 2.0MM NOZZLE CHROME
	MLN0004010	62094006	L30175X	SINGLE - 2.5MM NOZZLE CHROME (10PK)
	MLN0004110	62094008, 71102007	L3028X	SINGLE - 3.0MM NOZZLE CHROME (10PK)
2	MLN00507	62094005, 71341515	L752X	SINGLE - 1.5MM NOZZLE CHROME
	MLN00508	62094005, 71102006	L754X	SINGLE - 2.0MM NOZZLE CHROME
	MLN00510	62094005, 71341515-3,0	L756X	SINGLE - 3.0MM NOZZLE CHROME
3	MLN00042	71360259, 62094006	AL107	DISC HEAD PROTECTION Ø 16 PLASTIC
4	MLN01256		L1333	SINGLE - 2.0MM NOZZLE
5	MLN01253		AL403	COLLAR - PTFE

[Dimensions in Inches (mm)]



POS	MATE PART NUMBER	OEM CODE	ALTERNATE CODE	PART DESCRIPTION
1	MLN00082	AL56	71109513, 71109680	GASKET FOR SENSOR HEAD - PTFE
2	MLN00633	AL200	71341630, 71398293, 71232028, 71400517	CONNECTING CABLE HS-5 305MM SHORT 12"
3	MLN00963	AL260	71398965, 658393102	CONNECTING CABLE HS-15 FO 315MM 12"
4	MLN01100	AL263	71398095	SENSOR CABLE CONNECTOR, PANEL MOUNT



POS	MATE PART NUMBER	OEM CODE	ALTERNATE CODE	PART DESCRIPTION
1	MLN00550	71591228	A100	PULSAR/APELIO MOUNT FOR LENS Ø 1.5 BLACK
2	MLN00083	71360261, 71512355, 71109864	AL52	AMADA® GASKET PTFE - LENS HOUSING Ø1.5
3	MLN00593	71366182, 71368467	A105	GEMINI MOUNT FOR LENS Ø 2.0 BLACK
4	MLN00500		A107	GEMINI MOUNT FOR LENS Ø1.5 F.O. ALUMINIUM
5	MLN00502	71361393, 71109695	AL149	AMADA® GASKET PTFE - LENS HOUSING Ø2.0
6	MLN00632		A109	FONT MOUNT FOR LENS FL 5.0"
	MLN00631		A112	FONT MOUNT FOR LENS FL 7.5"
7	MLN00962	71501071	AL249	AMADA® GASKET FOR LENS FO NT

[Dimensions in Inches (mm)]



## LENSMATE REMOUNTING SERVICE in Standard Amada Housings (CO2 only)

Mate offers a quick turn-around CO2 lens remounting service for mounts with indium wire or O-rings. Save the cost of a new housing by reusing your existing Amada Pulsar/Apelio, Gemini, FONT or F1 mount.

Simply return your used housing to Mate. We will then refurbish and reassemble the housing with your choice of a new Mate Peak™, Black Magic™ or Performax™ lens. The completed lens mount will be returned to you in a few business days.

### Mate Lens remounting service includes:

- Disassembly of the housing with proper disposal of the used CO2 lens.
- Removal of indium wire or O-ring and cleaning all parts of the housing with 99% grade acetone.
- Replacing the indium wire or O-ring, springs, screws and lens.
- Remounting a new Mate lens.
- Quality check to ensure the lens is free of particulates and fingerprints.

### How you save:

- Short down time
- Save on the cost of a new housing
- Low remounting fee

### Remounting Fee:

- Flat fee of \$75.00 with customer supplied housing.
  - o Remount fee waived the first time with purchase of new lens/housing
  - o Since indium wire is expensive, the remount fee is lower if you change out the indium wire for an O-ring.

[Dimensions in Inches (mm)]



(CO2 ONLY)

POS	MATE PART NUMBER	OEM CODE	ALTERNATE CODE	PART DESCRIPTION
1	MLN01108	81059		PULSAR/APELIO TWIST MOUNT FOR LENS 1.5MM BLACK
2	MLN01109	80407		FONT TWIST MOUNT FOR LENS FL 5.0"
3	MLN01110	80406		FONT TWIST MOUNT FOR LENS FL 7.5"
4	MLN01111	81027		GEMINI TWIST MOUNT FOR LENS 1.5"
5	MLN01112	81048		GEMINI TWIST MOUNT FOR LENS 2.0"
6	MLN01113	801347-201		F1 TWIST MOUNT 2" DIA X 7.5" FL (CO2 ONLY)
7	MLN01114	803241-201		F1 TWIST MOUNT 2" DIA X 5.0" FL (CO2 ONLY)

[Dimensions in Inches (mm)]





PERFORMAX - STANDARD ABSORPTION LENSES						
MATE PART NUMBER	OEM CODE	TYPE	DIAMETER	FOCAL LENGTH	EDGE THICKNESS	
MLL00028	81140305 , 561067 , 561067	PLANO CONVEX	1.1"	5.0"	0.160"	
MLL00020	81140225 , 60990	PLANO CONVEX	1.5"	5.0"	0.118	
MLL00010	60770	PLANO CONVEX	1.5"	5.0"	0.236"	
MLL00015	71109683 , 8114022 , 60884	PLANO CONVEX	1.5"	3.75"	.300"	
MLL00016	578662, 71109680 , 71519408 , 7973109 , 71501072 , 63670	PLANO CONVEX	1.5"	5.0"	.300"	
MLL00017	7973110 , 464497 , 71109681 , 8140400 , 62649	PLANO CONVEX	1.5"	7.5"	.300"	
MLL00018	7155520 , 232771 , 81140156 , 717100306 , 60698 , 61405	PLANO CONVEX	2.0"	7.5"	.380"	
MLL00027	71710059 , 81140307 , 61019 , 7973418	PLANO CONVEX	2.0"	5.0"	.380"	
MLL00080	60992 , 81104187	PLANO CONVEX	2.0"	10.0"	.380"	

PERFORMAX - STANDARD ABSORPTION MOUNTED LENSES						
MATE PART NUMBER	OEM CODE	TYPE	DIAMETER	FOCAL LENGTH	EDGE THICKNESS	
MLL00031	81140306 , 74722622	PLANO CONVEX	1.5"	5.0"	.300"	
MLL00032	81140400	PLANO CONVEX	1.5"	7.5"	.300"	

PEAK - LOW ABSORPTION LENSES						
MATE PART NUMBER	OEM CODE	TYPE	DIAMETER	FOCAL LENGTH	EDGE THICKNESS	
MLP00016	406294 , 055491	PLANO CONVEX	1.5"	5.0"	.300"	
MLP00017	055492 , 702232	PLANO CONVEX	1.5"	7.5"	.300"	
MLP00027	206326	PLANO CONVEX	2.0"	5.0"	.380"	
MLP00018	7155520 , 81140156	PLANO CONVEX	2.0"	7.5"	.380"	
MLP00031		PLANO CONVEX	1.5"	5.0"	.300"	
MLP00032		PLANO CONVEX	1.5"	7.5"	.300"	

BLACK MAGIC- LOW ABSORPTION LENSES						
MATE PART NUMBER	OEM CODE	TYPE	DIAMETER	FOCAL LENGTH	EDGE THICKNESS	
MLB00016	578662, 71109680 , 71519408 , 7973109 , 71501072 , 63670	PLANO CONVEX	1.5"	5.0"	.300"	
MLB00017	7973110 , 464497 , 71109681 , 8140400 , 62649	PLANO CONVEX	1.5"	7.5"	.300"	
MLB00018	7155520 , 232771 , 81140156 , 71710030 , 60698 , 61405	PLANO CONVEX	2.0"	7.5"	.380"	
MLB00027	71710059 , 81140307	PLANO CONVEX	2.0"	5.0"	.380"	

FIBERMAX - FIBER LASER LENSES						
MATE PART NUMBER	OEM CODE	TYPE	DIAMETER	FOCAL LENGTH	EDGE THICKNESS	
MLF00001	71570005 , 71570036 , 7710371 , 29510125 , 71565737 , 7710801	FUSED SILICA	50.8mm	180mm	3.0mm	
MLF00002	71570007	FUSED SILICA	38.1mm	220mm	3.3mm	
MLF00003	7157035 , 7710370 , 7157006 , 71565736 , 7710437	FUSED SILICA	50.8mm	150mm	11.6mm	
MLF00012	7710238 , 7710236 , CC33061412 , 23425 , 7710714 , 71568226	FUSED SILICA	50.8mm	190mm	11.5mm	
MLF00019	MOUNTED LENS ASSEMBLY - 71566488	FUSED SILICA	50.8mm	190mm	11.5mm	

FIBERSHIELD - FIBER LASER PROTECTIVE WINDOWS						
MATE PART NUMBER	OEM CODE	TYPE	DIAMETER	EDGE THICKNESS		
MLW00001	462746 , 71570028	FUSED SILICA	12.0mm	2.0mm		
MLW00010		FUSED SILICA	50.8mm	6.3mm		
MLW00011	71570026 , 5016125 octagon	FUSED SILICA	33.0mm	1.5mm		
MLW00012	10045746 , 500697866.1 , 3163040006	FUSED SILICA	19.0mm	6.3mm		
MLW00013		FUSED SILICA	19.0mm	3.0mm		
MLW00025	600227	FUSED SILICA	24.0mm	5.0mm		
MLW00024	P0595-58601	FUSED SILICA	37.0mm	7.0mm		
MLW00021	PLLCG0060	FUSED SILICA	38.1mm	6.3mm		
MLW00026	71571308 , 71598028 , 5172635 , 60227	FUSED SILICA	45.0mm	3.0mm		
MLW00027		FUSED SILICA	27.9mm	4.1mm		

OPTICS CARE	
MATE PART NUMBER	DESCRIPTION
MLN00570	1.5" Polarizer Filter
MLN01105	Cleaning Holder w/ 1.5" Polarizer Filter
MLN01106	Cleaning Holder w/ 2.0" Polarizer Filter
MLN01104	Wet Cleaning Wipes - 24 Pack
MLN01996	Optical Cleaning Fluid - Spray - 71679849
MLN01997	Lens Cleaning Paper - 50 Sheets
MLN01998	4x4 Polyester Wipes - 100 Pack Texwipes - 81141003M , 35067208
MLN02000	Lens Cleaning Swabs - 25 Pack Knit Polyester Tip
MLN01483	Lens / Mirror Cleaning Base
MLN00582	Lensmate Cleaning Paper - Booklet 4x6 Sheets

[Dimensions in Inches (mm)]




SHOP 24/7 AT [shop.mate.com](http://shop.mate.com)

Search

Cart  
0 item(s) in cart total \$0 [View](#)  
[Add](#)  
Hello, Guest [Login](#)

Home > Laser Technologies

## Laser Technologies



Mate offers a complete range of state-of-the-art CO<sub>2</sub> and Fiber Laser optics and consumables to meet virtually any laser need. We offer over 2,000 competitively priced parts including lenses, window, nozzles, cables and more. Our product line includes:

**CO<sub>2</sub> Lasers:**

- Performax™, Peak™ and Black Magic™ to meet a wide variety of performance needs.
- Tubeam™ mirrors that offer maximum reflectivity and durability for continuous service life.

**Fiber Lasers:**

- Fibermax™ lenses
- Fibershield™ windows

**Consumables:**

- FLOWMASTER™ Nozzles that provide superior cutting control for improved cut quality
- FLOWMASTER™ Accessories
- LENSIMATE™ Maintenance Supplies

Available for all popular CO<sub>2</sub> laser machines. Mate CO<sub>2</sub> laser products are backed by our 100% satisfaction guarantee.

**SUB-CATEGORIES**

CO<sub>2</sub> Lenses & Mirrors

Fiber Lenses & Windows

CO<sub>2</sub> & Fiber Laser Consumables

Mate Precision Tooling is not affiliated with any named original equipment manufacturer. All names, part numbers and trademarks are the property of their respective owners and are used for identification purposes only. All products in the catalog are made for and/or by Mate Precision Tooling.

1295 Lund Boulevard • Anoka, Minnesota 55303 • USA  
 (763) 421-0230 • (800) 326-4492  
 En Español +1 (763) 570-3700  
[mate.com](http://mate.com)

Copyright 2017 Mate Precision Tooling. All Rights Reserved.



## Wide Selection for all OEMs

- CO<sub>2</sub> Lenses
- Fiber Lenses
- Consumables

*Purchase orders and all major credit cards accepted.*



shop.mate.com

[Dimensions in Inches (mm)]



[Dimensions in Inches (mm)]





## **MATE PRECISION TECHNOLOGIES** GLOBAL COVERAGE

### **WORLDWIDE HEADQUARTERS:**

1295 Lund Boulevard, Anoka, Minnesota 55303 USA  
Tel +1.763.421.0230 [mate.com](http://mate.com)

[orders@mate.com](mailto:orders@mate.com)